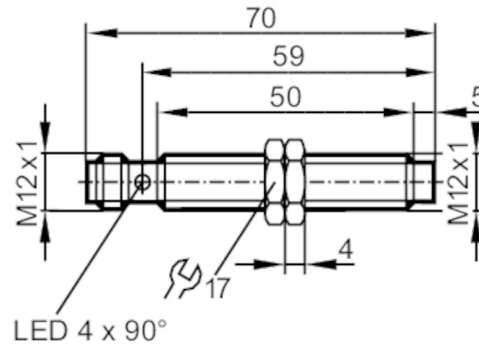


# IF5904



## Inductive sensor

IFK4004-CPKG/US-104



### Product characteristics

Electrical design	PNP
Output function	complementary
Sensing range [mm]	4
Housing	threaded type
Dimensions [mm]	M12 x 1 / L = 70

### Application

Special feature	Gold-plated contacts
-----------------	----------------------

### Electrical data

Operating voltage [V]	10...30 DC
Current consumption [mA]	< 10; (24 V)
Protection class	II
Reverse polarity protection	yes

### Outputs

Electrical design	PNP
Output function	complementary
Max. voltage drop switching output DC [V]	2.5
Permanent current rating of switching output DC [mA]	200
Switching frequency DC [Hz]	1200
Short-circuit protection	yes
Overload protection	yes

### Detection zone

Sensing range [mm]	4
Real sensing range $S_r$ [mm]	$4 \pm 10\%$
Operating distance [mm]	0...3.24

### Accuracy / deviations


Correction factor	steel: 1 / stainless steel: 0.7 / brass: 0.5 / aluminium: 0.4 / copper: 0.3
Hysteresis [% of $S_r$ ]	3...15
Switch point drift [% of $S_r$ ]	-10...10

# IF5904



## Inductive sensor

IFK4004-CPKG/US-104

Operating conditions		
Ambient temperature	[°C]	-25...80
Protection		IP 67
Tests / approvals		
EMC	EN 61000-4-2 ESD	4 kV CD / 8 kV AD
	EN 61000-4-3 HF radiated	10 V/m
	EN 61000-4-4 Burst	2 kV
	EN 61000-4-6 HF conducted	10 V
	EN 55011	class B
MTTF	[years]	1865
Embedded software included		yes
UL approval	Ta	-25...80 °C
	Enclosure type	Type 1
	power supply	Limited Voltage/Current
	UL approval no.	A014
	File number UL	E174191
Mechanical data		
Weight	[g]	30
Housing		threaded type
Mounting		non-flush mountable
Dimensions	[mm]	M12 x 1 / L = 70
Thread designation		M12 x 1
Materials		brass white bronze coated; sensing face: PBT orange; LED window: PEI; lock nuts: brass white bronze coated
Displays / operating elements		
Display	switching status	4 x LED, yellow
Accessories		
Items supplied		lock nuts: 2
Remarks		
Pack quantity		1 pcs.
Electrical connection - plug		
Connector: 1 x M12; coding: A; Contacts: gold-plated		
		

# IF5904



## Inductive sensor

IFK4004-CPKG/US-104

### Connection

