

3/2-directional valve, Series CD12

- Qn = 4000 l/min
- Pilot valve width : 30 mm
- NC NO
- Pipe connection
- Compressed air connection output : G 1/2
- Electrical connection : Plug, EN 175301-803, form A, 3-pin
- Manual override : with detent, without detent
- single solenoid
- With spring return
- Pilot : internal external



Version	Spool valve, positive overlapping
Activation	Electrically
Sealing principle	Soft sealing
Working pressure min./max.	See table below
Control pressure min./max.	See table below
Ambient temperature min./max.	See table below
Medium temperature min./max.	See table below
Medium	Compressed air
Max. particle size	50 µm
Oil content of compressed air	0 ... 1 mg/m ³
Nominal flow Qn	4000 l/min
Nominal flow 1 ► 2	4000 l/min
Nominal flow 2 ► 3	4000 l/min
Compressed air connection	according to ISO 228-1
Pilot control exhaust	with directional pilot air exhaust
Connector standard	EN 175301-803:2006
Reverse polarity protection	Protected against polarity reversal
Compatibility index	See table below
Duty cycle	100 %
Weight	See table below

Technical data

Part No.		NC, NO	MO	Compressed air connection	
				Input	Output
5724550220		NC, NO	-	G 1/2	G 1/2
5724555270		NC, NO	-	G 1/2	G 1/2
5724555280		NC, NO	-	G 1/2	G 1/2
5724555202		NC, NO	-	G 1/2	G 1/2
5724560220		NC, NO	-	G 1/2	G 1/2
5724565270		NC, NO	-	G 1/2	G 1/2
5724565280		NC, NO	-	G 1/2	G 1/2
5724565202		NC, NO	-	G 1/2	G 1/2

Part No.	Compressed air connection	
	Output	Exhaust
5724550220	G 1/2	G 1/2
5724555270	G 1/2	G 1/2
5724555280	G 1/2	G 1/2
5724555202	G 1/2	G 1/2
5724560220	G 1/2	G 1/2
5724565270	G 1/2	G 1/2
5724565280	G 1/2	G 1/2
5724565202	G 1/2	G 1/2

Part No.	Compressed air connection		Operational voltage DC
	Pilot Input	Pilot Exhaust	
5724550220	-	M5	24 V
5724555270	-	M5	-
5724555280	-	M5	-
5724555202	-	-	-
5724560220	G 1/8	M5	24 V
5724565270	G 1/8	M5	-
5724565280	G 1/8	M5	-
5724565202	G 1/8	-	-

Part No.	Operational voltage		Voltage tolerance	
	AC 50 Hz	AC 60 Hz	DC	AC 50 Hz
5724550220	-	-	-10% / +10%	-
5724555270	110 V	110 V	-	-20% / +10%
5724555280	230 V	230 V	-	-20% / +10%
5724555202	-	-	-	-
5724560220	-	-	-10% / +10%	-
5724565270	110 V	110 V	-	-20% / +10%
5724565280	230 V	230 V	-	-20% / +10%
5724565202	-	-	-	-

Part No.	Voltage tolerance		Power consumption	
	AC 60 Hz	DC	Holding power AC 50 Hz	Holding power AC 60 Hz
5724550220	-	2,1 W	-	-
5724555270	-10% / +20%	-	4,3 VA	3,3 VA
5724555280	-10% / +20%	-	4,4 VA	3,5 VA

Part No.	Voltage tolerance	Power consumption	Holding power	Holding power
	AC 60 Hz	DC	AC 50 Hz	AC 60 Hz
5724555202	-	-	-	-
5724560220	-	2,1 W	-	-
5724565270	-10% / +20%	-	4,3 VA	3,3 VA
5724565280	-10% / +20%	-	4,4 VA	3,5 VA
5724565202	-	-	-	-

Nominal flow Qn at 6 bar and $\Delta p = 1$ bar, MO = Manual override

1) temperature range for ATEX application: - 10 °C ... 60 °C

Technical information

The min. control pressure must be adhered to, since otherwise faulty switching and valve failure may result!
The pressure dew point must be at least 15 °C under ambient and medium temperature and may not exceed 3 °C .
The oil content of compressed air must remain constant during the life cycle.
Use only the approved oils from AVENTICS. Further information can be found in the "Technical information" document (available in the MediaCentre).

ATEX optional: ATEX version can be produced by combining the basic valve without coil with an ATEX coil. ATEX ID: see ATEX coils catalog page.

option valve: The input and output compressed air connections can be exchanged. The valve can thereby be used in the NC or NO operating mode.

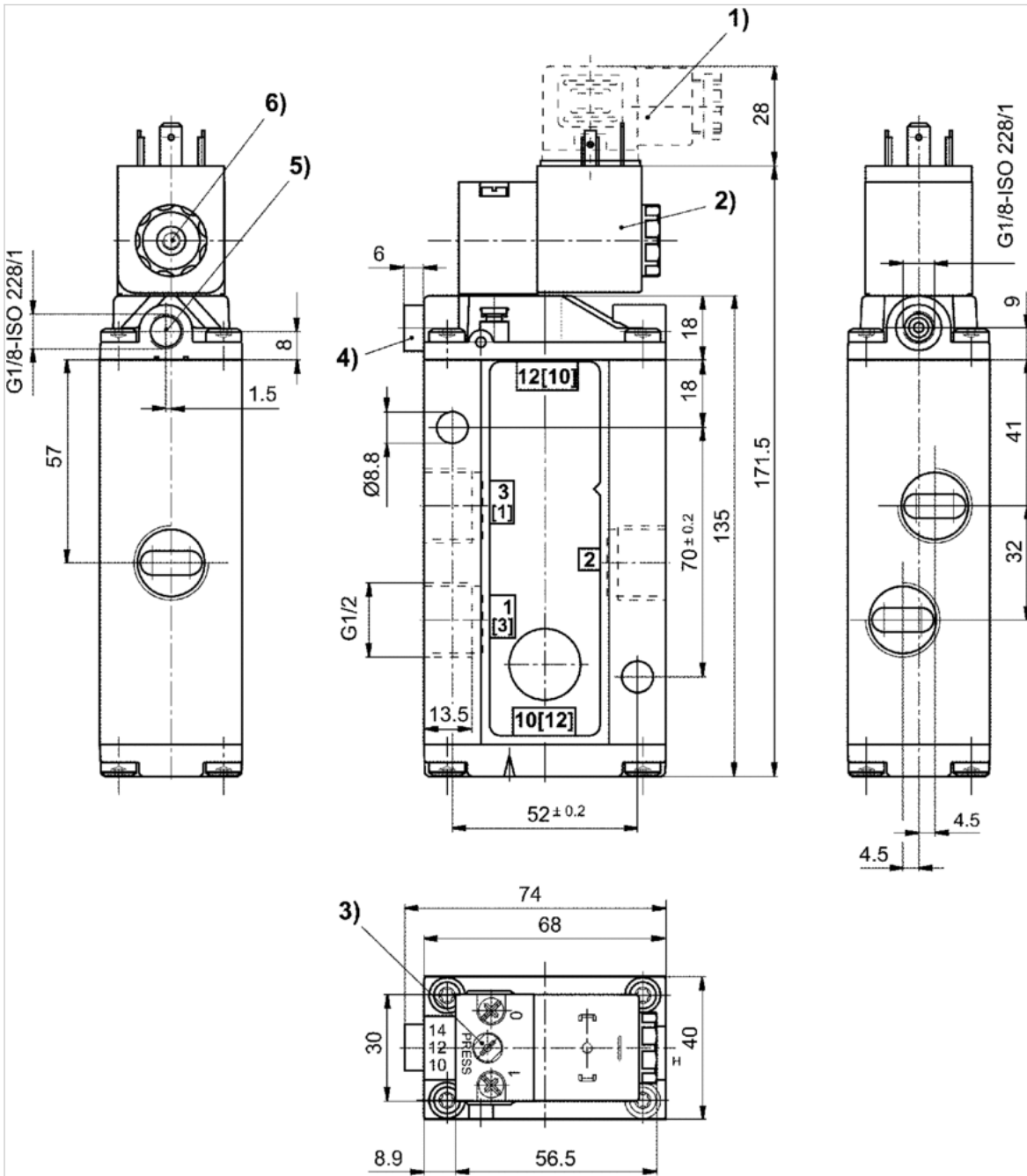
*Note: Basic valves feature a maximum working pressure of 16 bar. When combined with standard CNOMO pilots, the maximum working pressure is 10 bar.

Technical information

Material	
Housing	Aluminum Polyamide, fiber-glass reinforced
Seals	Acrylonitrile butadiene rubber Polyurethane

Dimensions

Dimensions



1) Valve plug connector 2) Coil can be rotated at 90° intervals 3) Manual override 4) Port X (only for externally piloted valves) 5) Exhaust port of piston 6) Pilot valve exhaust, M5